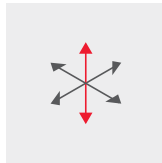
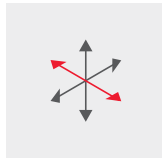


Symbols for the sash adjustment when installed

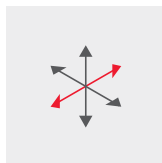
These symbols facilitate the orientation while adjusting the window sashes after installation with the following steps. Use a 4 mm hex key as tool.



Height adjustment



Lateral adjustment



Gasket-compression adjustment



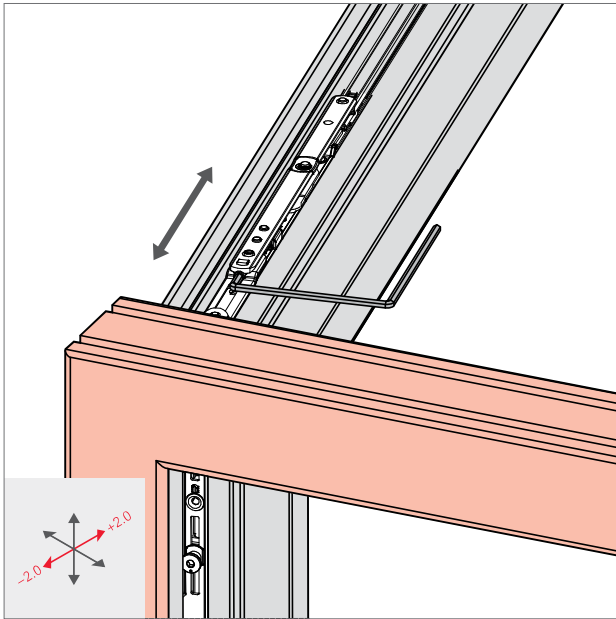
NOTE!

Adjusting Roto hardware components may only be carried out by authorised and qualified personnel.

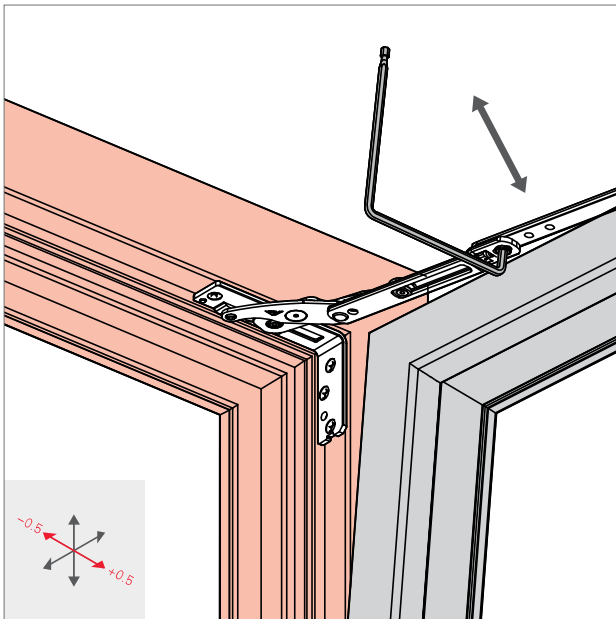


NOTE!

The stated values in the adjustment instructions chapter are maximum values. These must be adhered to.



Lateral adjustment

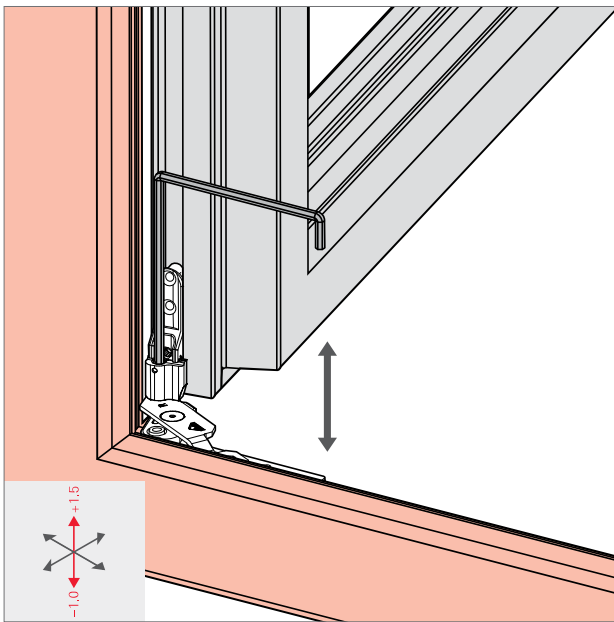


Gasket-compression adjustment

Adjustment

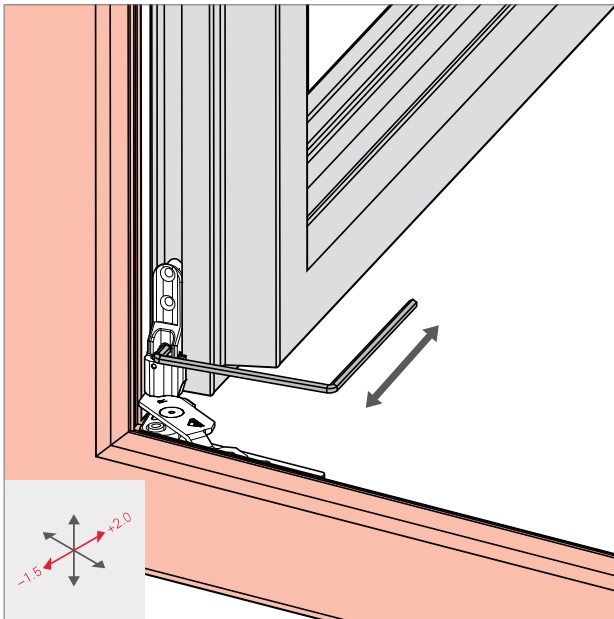
Adjustment instructions

Pivot rest / corner hinge

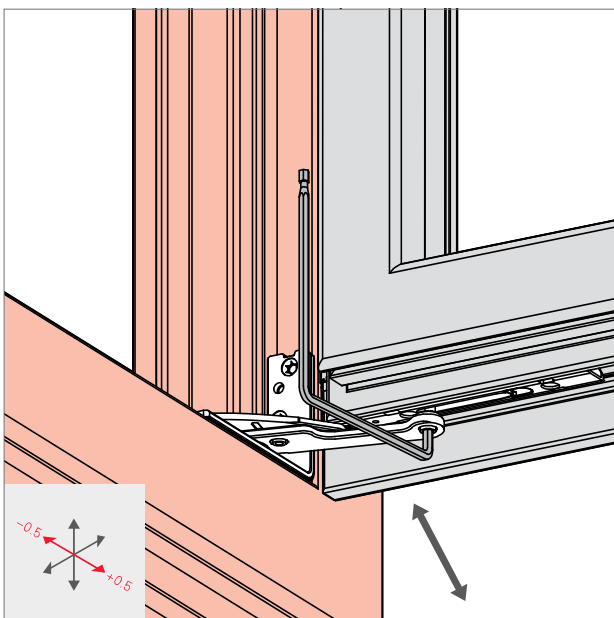


Height adjustment

After the height adjustment, the load transfer device has to be readjusted (refer to page 71).



Lateral adjustment



Gasket-compression adjustment



Locking cam adjustment instructions						
Cam type	Adjustment range	Gasket-compression	Height	Side view		Tools
E cam						
	90°	+ / - 0.8 mm				
P cam						
	90°	+ / - 0.8 mm				
V cam						
Cam type	Adjustment range	Gasket-compression adjustment in mm	Height adjustment in mm	Side view / top view		Tools
	90°	+ / - 0.8 mm	+ / - 0.2 mm			
	180°	-	+ / - 0.4 mm			
	270°	+ / - 0.8 mm	+ / - 0.6 mm			
	360°	-	+ / - 0.8 mm			