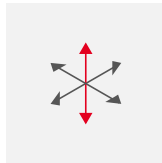
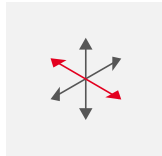


Symbols for sash adjustment when installed

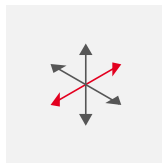
These symbols facilitate the orientation while adjusting the window sashes after installation with the following steps. Use a 4 mm Allen key as the tool.



Height adjustment



Lateral adjustment



Contact-pressure adjustment



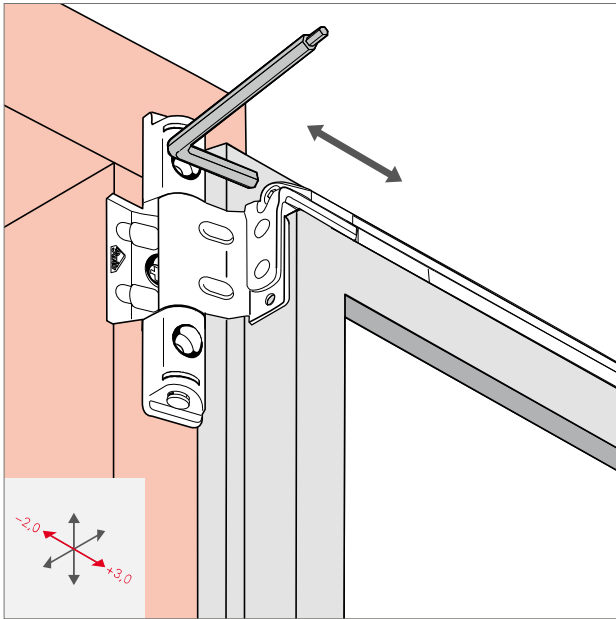
NOTE!

Adjusting Roto hardware components may only be carried out by authorised and qualified personnel.

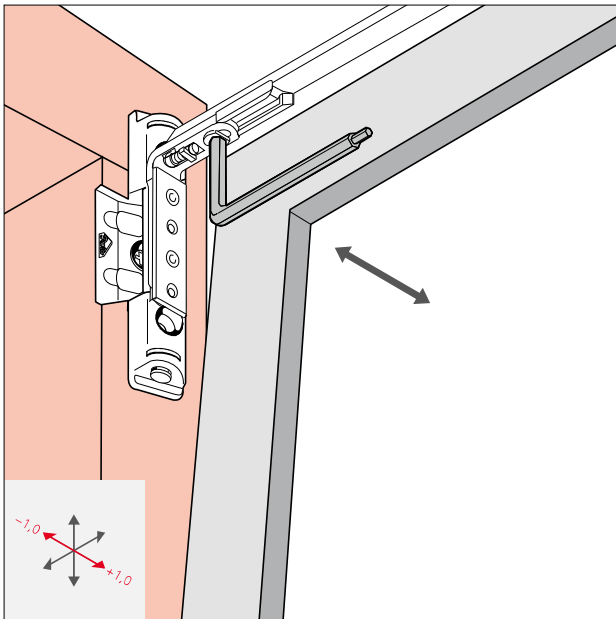
Adjustment

Adjustment instructions

Sash stay – hinge side E5



Lateral adjustment

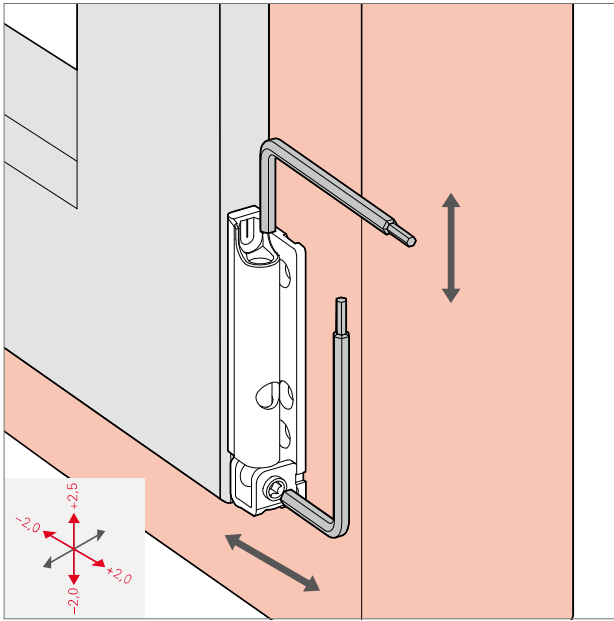


Contact-pressure adjustment

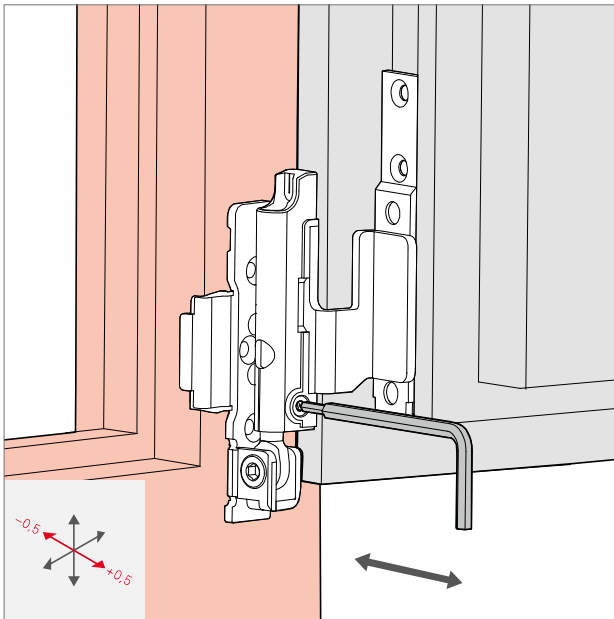
Adjustment

Adjustment instructions

Pivot rest / corner hinge – hinge-side E5



Height adjustment
Lateral adjustment



Contact-pressure adjustment



Locking cam adjustment instructions						
Cam type	Adjustment range	Gasket compression	Height	Side view		Tool
E cam						
	90° 90°	±0.8 mm				
P cam						
	90° 90°	±0.8 mm				
V cam						
Cam type	Adjustment range	Gasket compression adjustment/mm	Height adjustment/mm	Side view/top view		Tool
	90° 90°	±0.8 mm	±0.2 mm			
	180° 180°	-	±0.4 mm			
	270° 270°	±0.8 mm	±0.6 mm			
	360° 360°	-	±0.8 mm			